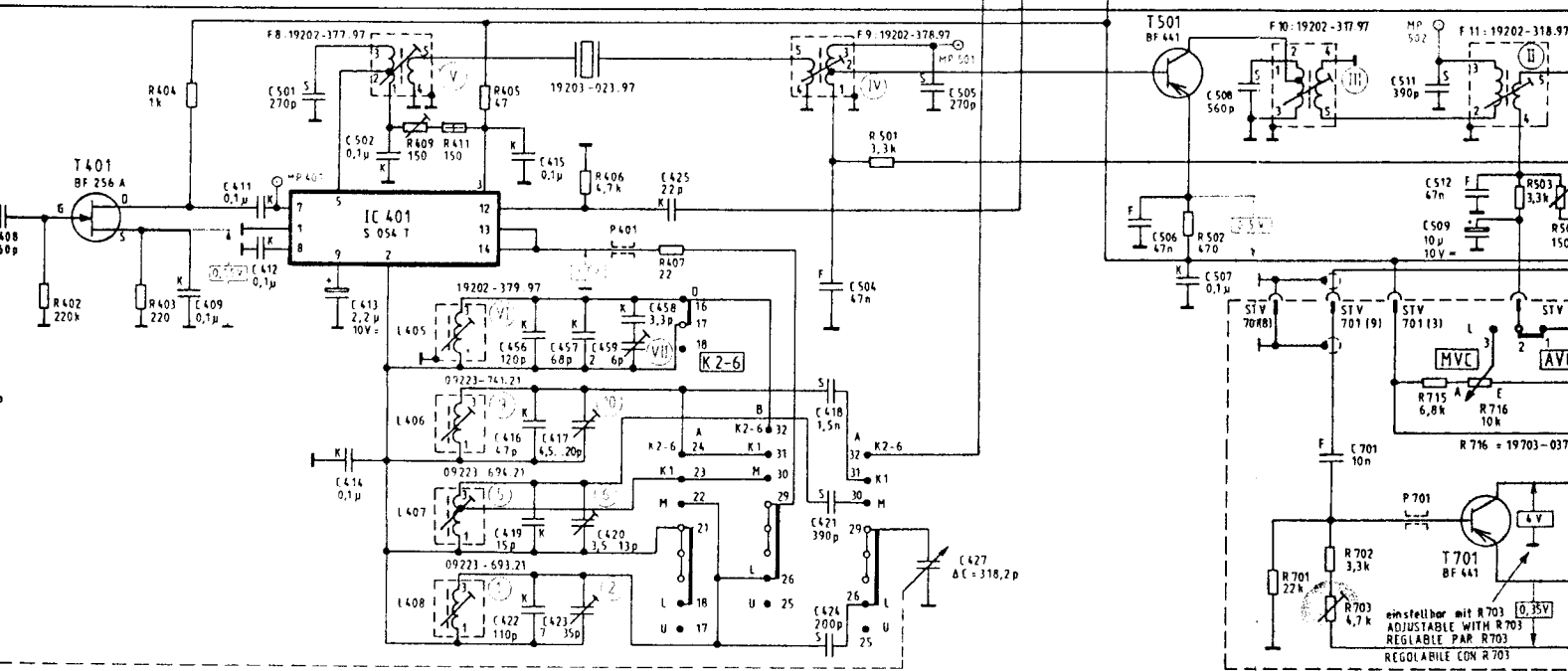
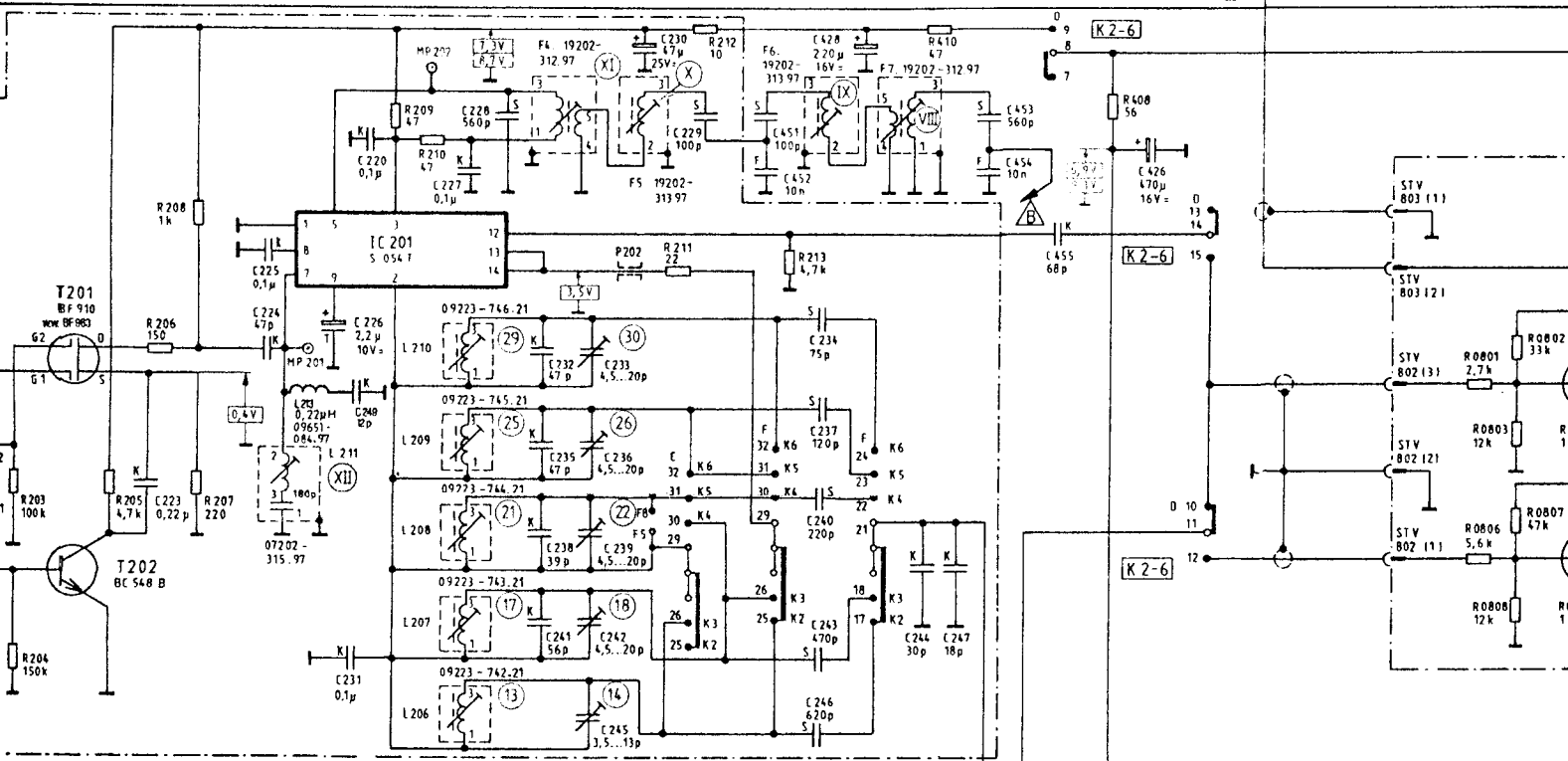
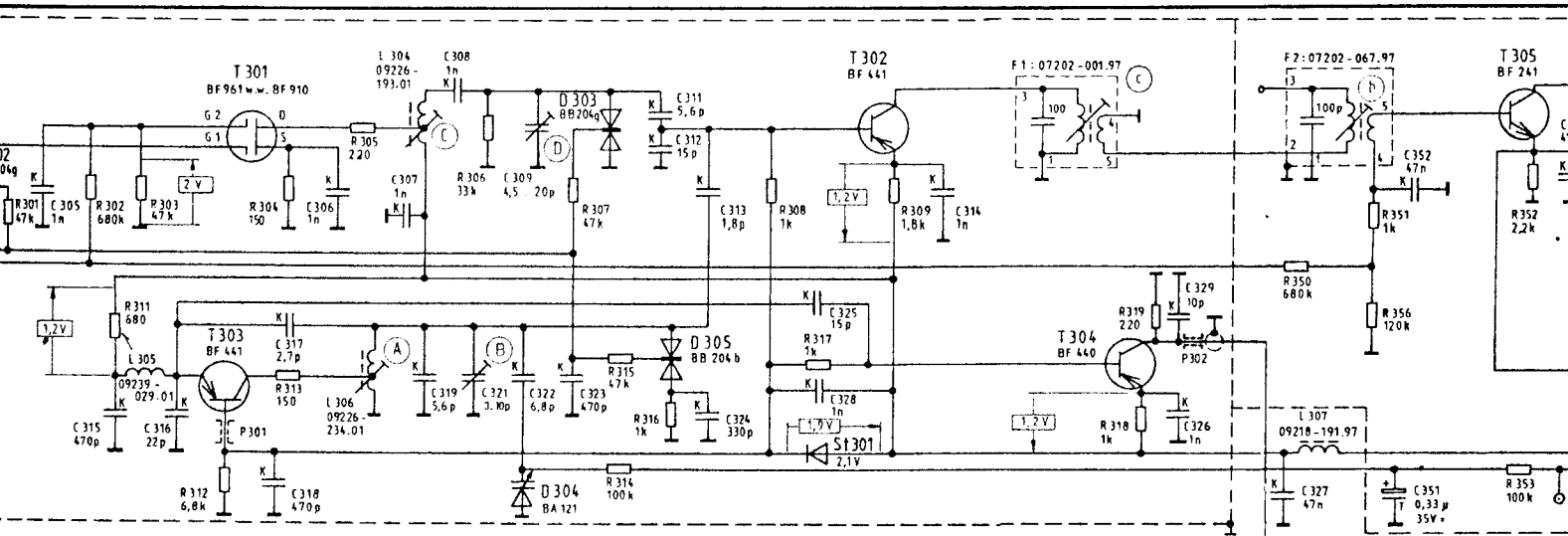
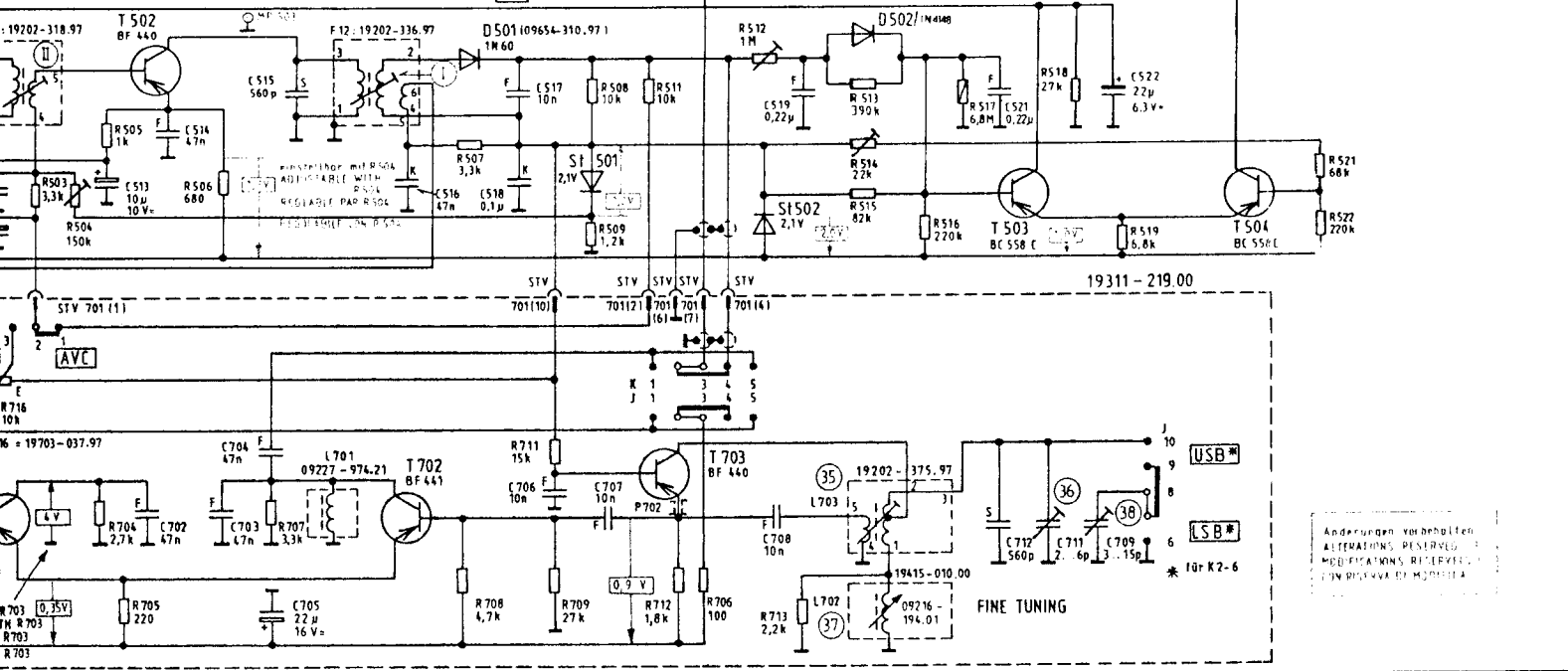
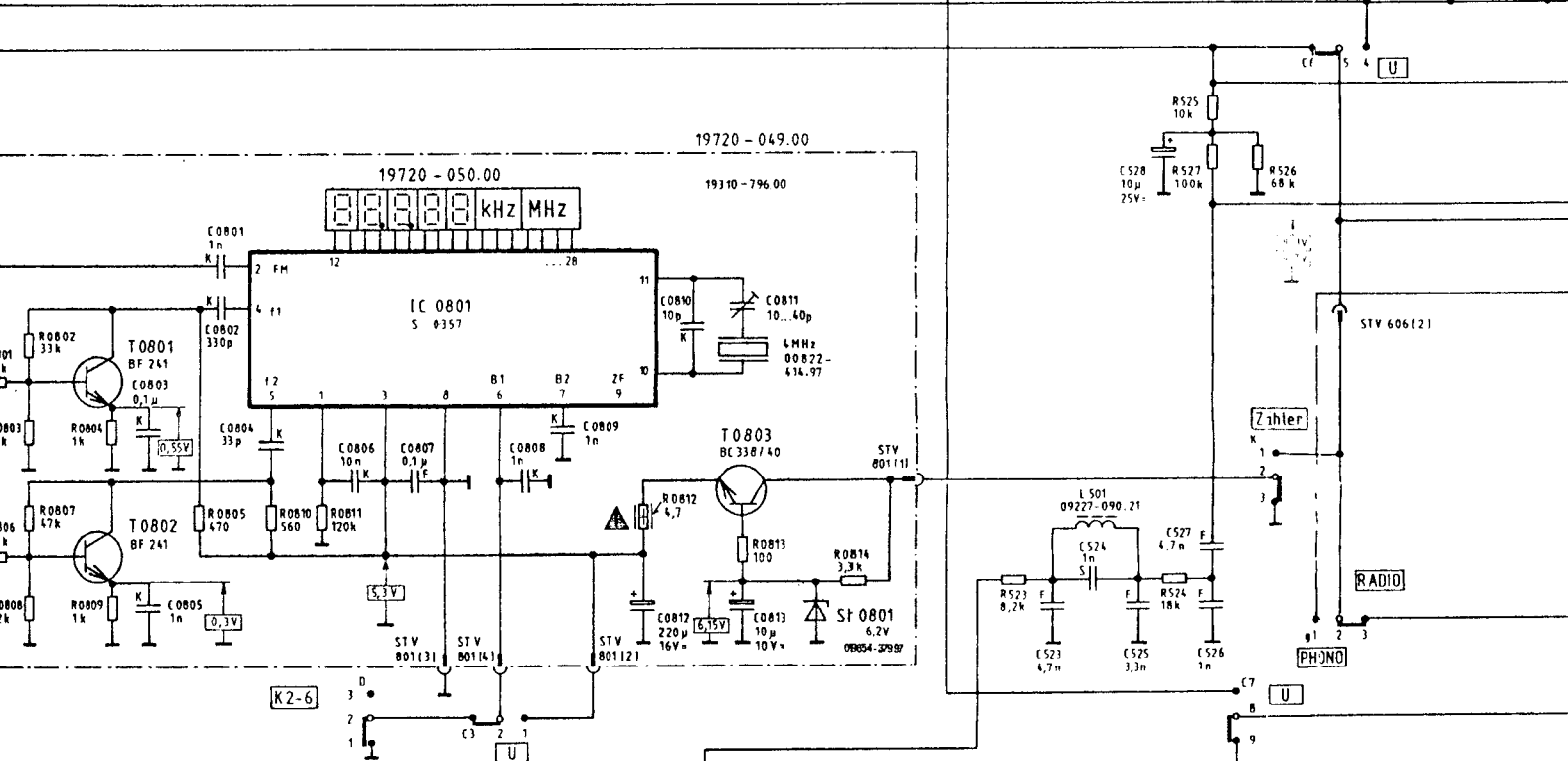
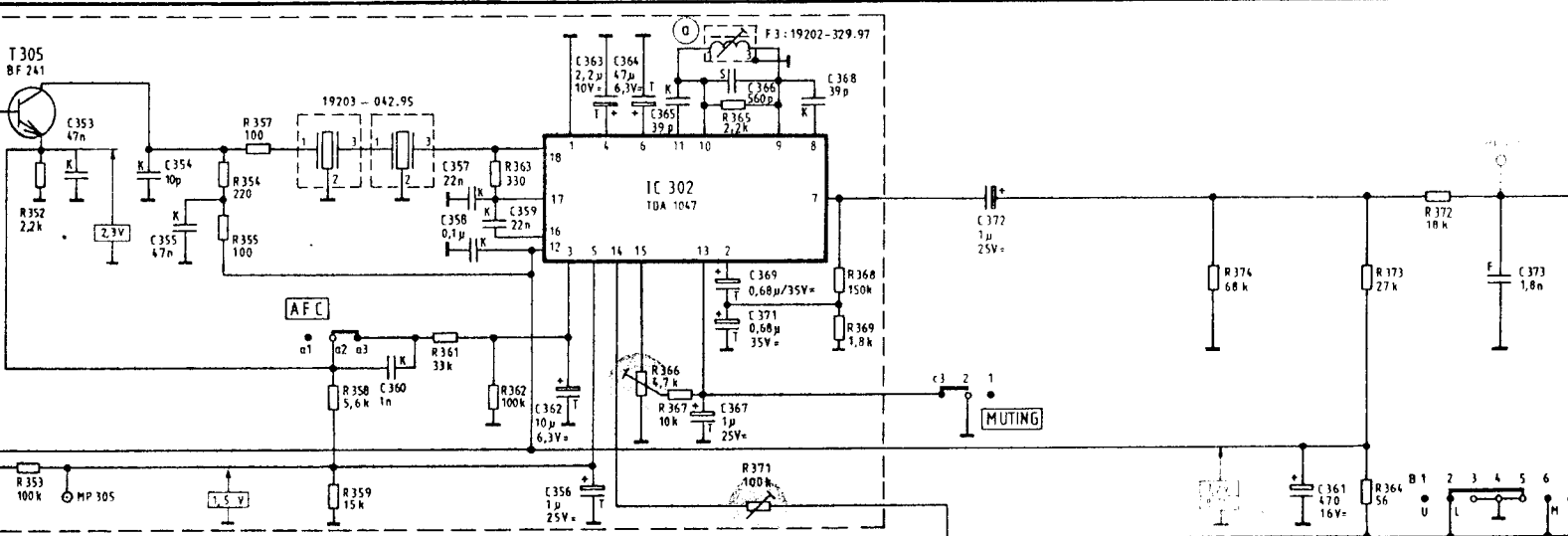


C	101, 102, 103, 104, 105, 217, 206, 200, 201, 202, 205, 209, 213, 218, 214, 215, 219, 203, 207, 211, 341, 342, 301, 344, 304, 208, 212, 216, 221, 302, 343, 303, 304, 248, 410, 222, 408, 305, 408, 301
R	101, 345, 347, 348, 349, 361, 362, 200, 400, 401, 343, 201, 202, 203, 204,



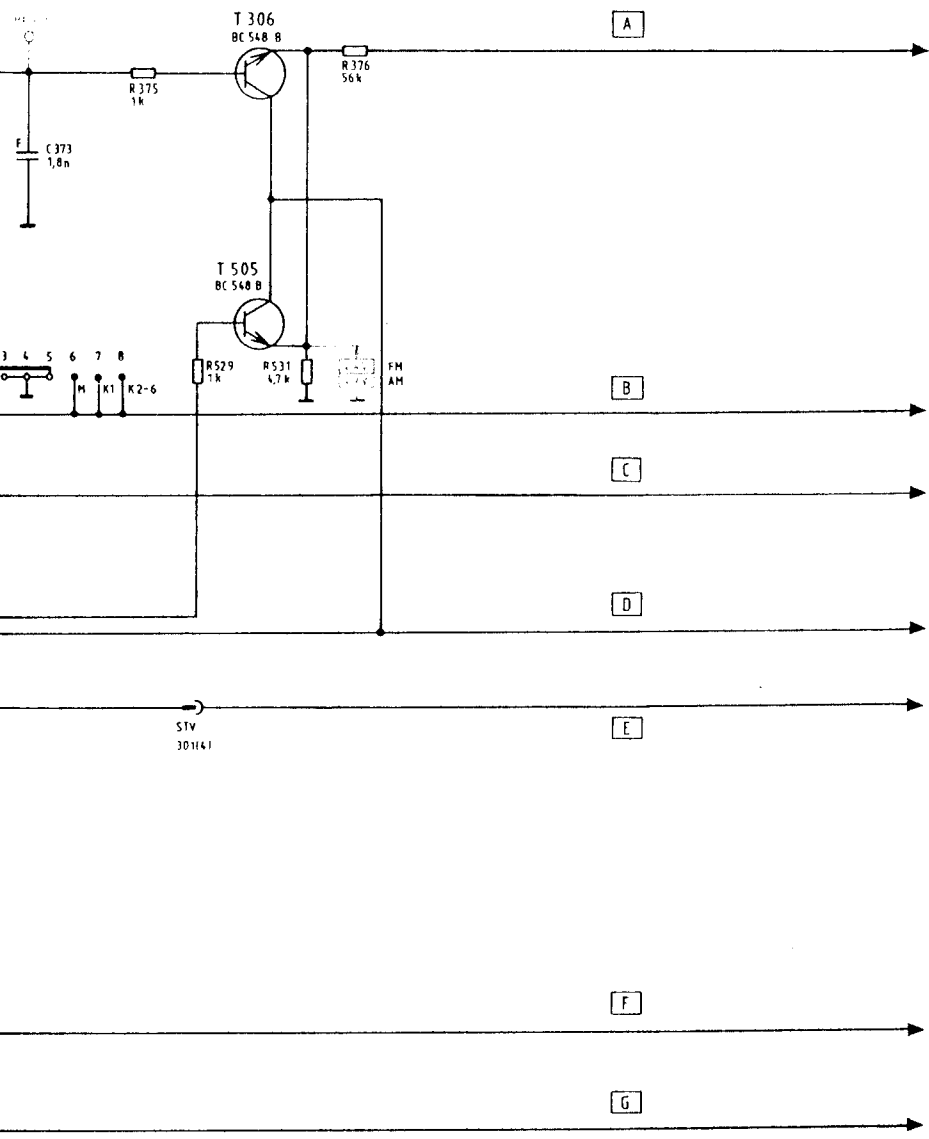
315, 316,	274, 225, 317, 118,	306, 226, 220, 231, 240,	107, 319, 308, 321,	309, 322, 322, 231, 235, 323,	236, 238, 239, 230, 311,	312, 229, 324, 313, 451, 452,	325, 328, 234, 237, 240,	428, 314, 247,	506, 426,	326, 329,	327,	701,	351, 352,	511,	509,	512,	353,
223, 409,	411, 412,	501, 413, 414, 502,	415, 227, 228, 456,	416, 419, 422, 241, 242, 245,	457, 417, 420, 423, 458, 459, 425,	424, 421, 418, 504, 243, 246, 244,	505, 427, 453, 454, 455,										
302, 311, 303,	312,	304, 313,	305,	709, 210,	306,	307, 314, 315,	316, 211, 212,	308, 213, 317,	309,	410,	408, 318, 319,	350,	351, 356,	0801, 0806,	353, 0802, 0807,		
204,	402, 205,	403, 206, 404,	207, 208,	409,	411, 405,	406,	407,		501,	502,	701,	702, 703,	503, 504, 715,	716, 0807, 0808,			



353	354	0803,0805,355,0801,0802,0804,0806,	0807,	356,357,358,0808,359,362,363,	364,	365,367,366,369,371,	368,	372,	523,	524,525,528,	361,	373,
512,	513,	702,514,	703,704,705,515,	516,360,	517,518,706,0809,707,0812,0811,	0813,708,519,		712,521,711,	522,709,	526,527,		
353,0802,0803,352,0804,0809,	0805,354,355,357,358,	359,	361,	362,	363,	366,367,365,371,706,	0814,368,369,			374,525,527,526,		
516,0807,0808,704,705,505,506,	707,0810,0811,		708,507,	709,711,508,509,511,	712,0812,	0813,512,713,513,514,515,	516,	517,	523,518,	519,524,	521,522,	364,373,
												372,

Änderungen vorbehalten  
 ALTERATIONS RESERVED  
 MODIFICATIONS RESERVEES  
 CONSERVATION DE MODIFIÉS

\* für K2-6

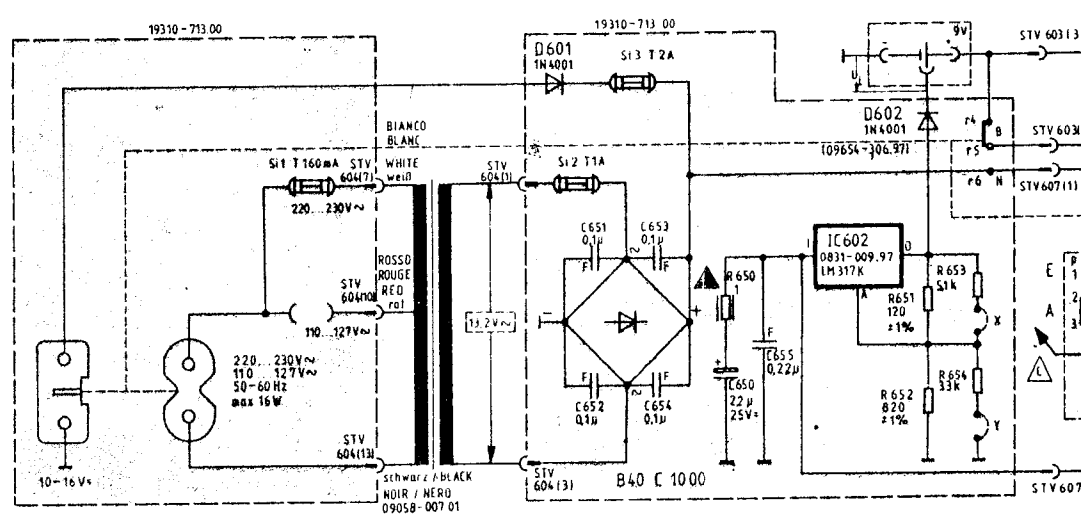
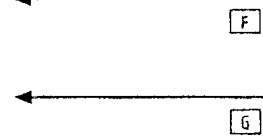
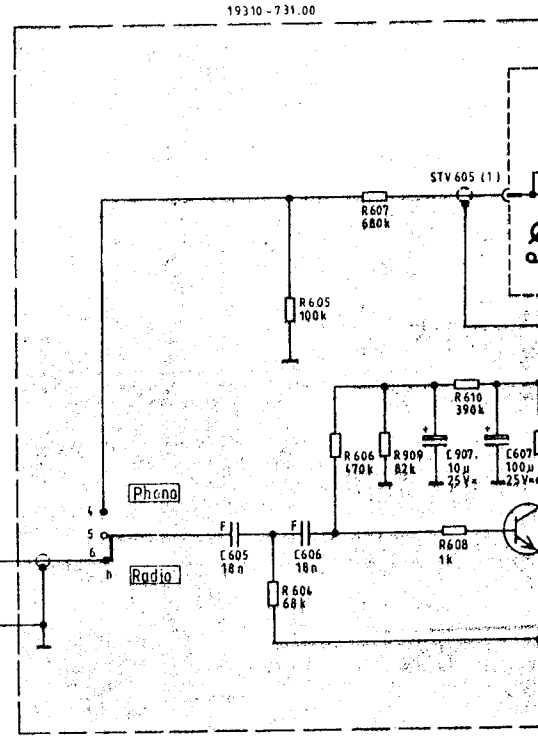
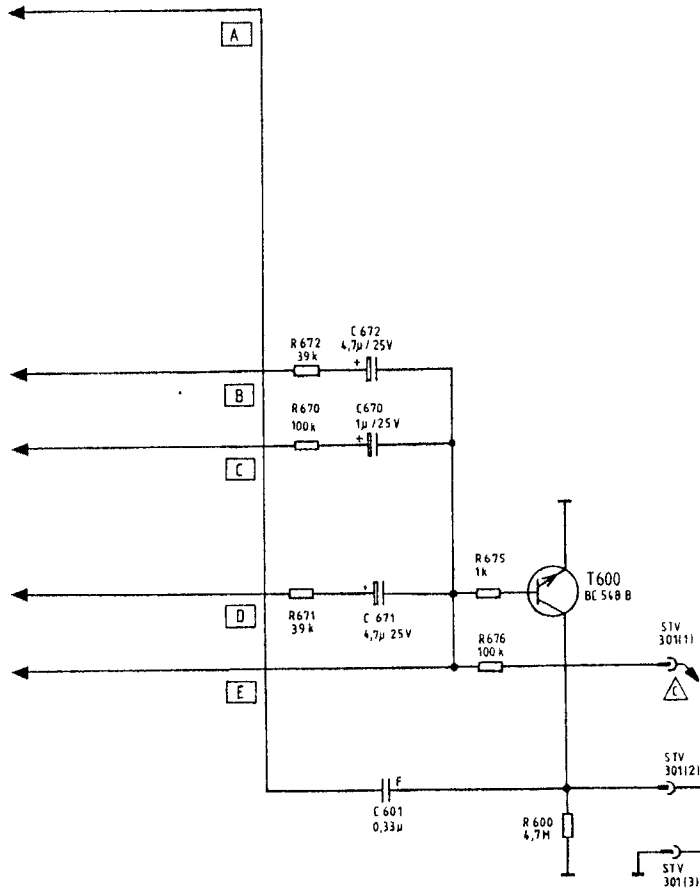


Satellit 1400 professional  
Satellit 1400 SL professional

(15040 - 906.01)

Teil 1

373,						C
375,	529,	531,	376,			R



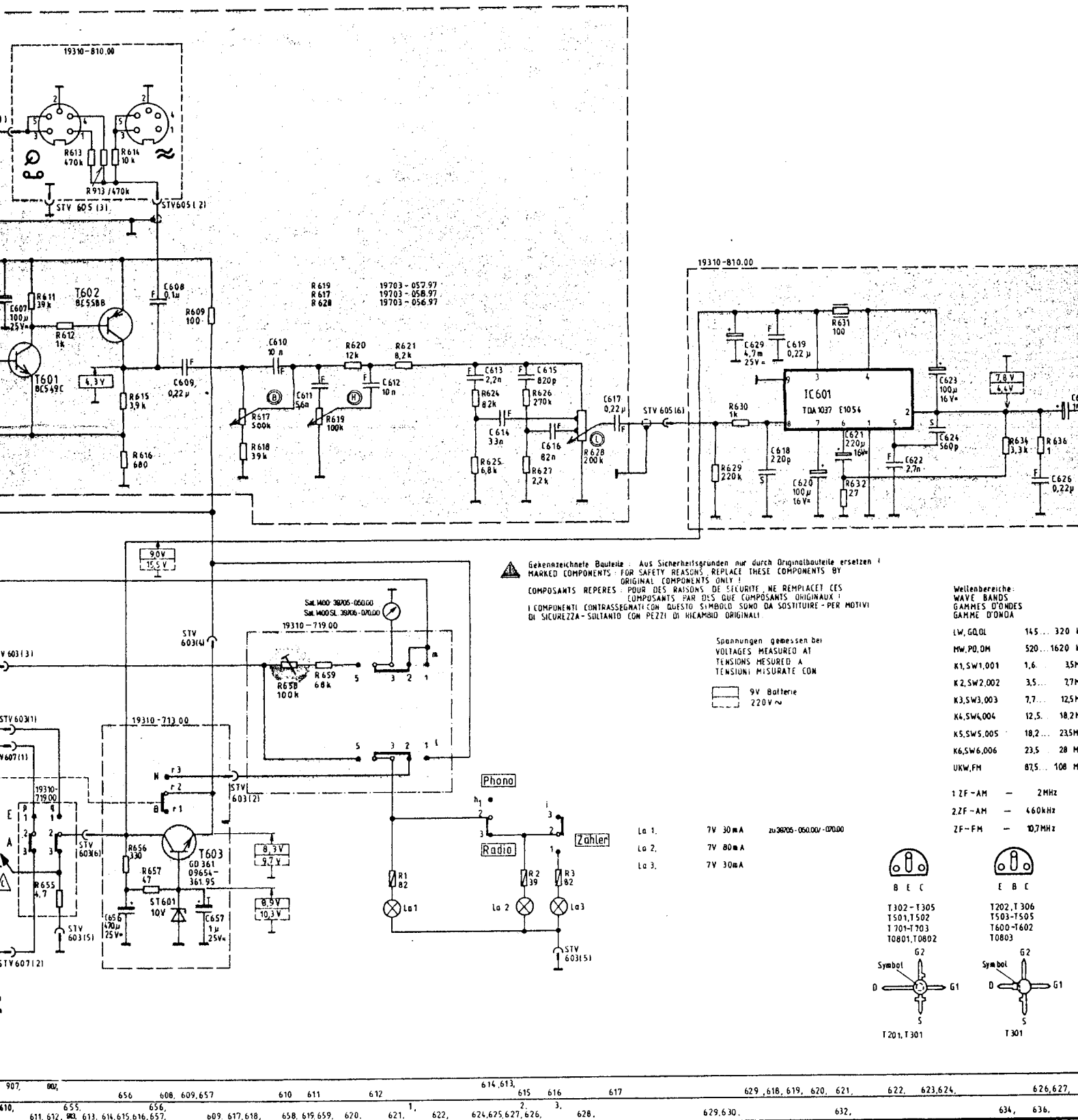
bei  $U_1 < 9,05V$  X verbinden  
 bei  $U_1 > 9,35V$  Y verbinden

C	671, 672, 670, 601,	651, 653, 650, 655, 605,	606,	907,
R	671, 672, 670,	675, 676, 600,	650, 604, 605, 606, 651, 652, 653, 654, 607, 608,	610,

Ferritlabantenne kpl  
 FERRIT AERIAL  
 ANTENNE FERRITE  
 ANTENNA DI FERRITE COMPL.

HF - NF - Platte  
 RF - AF - BOARD  
 CIRCUIT IMPRIME - HF - BF  
 PIASTRA - AF - BF

Tuner - Platte  
 TUNER - BOARD  
 CIRCUIT IMPRIME - TUNER  
 PIASTRA TUNER



**⚠** Gezeichnete Bauteile - Aus Sicherheitsgründen nur durch Originalbauteile ersetzen!  
 MARKED COMPONENTS - FOR SAFETY REASONS REPLACE THESE COMPONENTS BY ORIGINAL COMPONENTS ONLY!  
 COMPONENTS REPRES - POUR DES RAISONS DE SECURITE NE REMPLACEZ CES COMPONENTS PAR DES QUE COMPONENTS ORIGINAUX!  
 I COMPONENTI CONTRASSEGNAI CON QUESTO SIMBOLO SONO DA SOSTITUIRE PER MOTIVI DI SICUREZZA - SOLTANTO CON PEZZI DI RICAMBIO ORIGINALI!

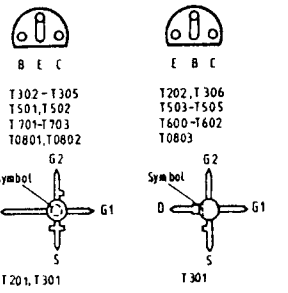
Spannungen gemessen bei  
 VOLTAGES MEASURED AT  
 TENSIONI MISURATE CON

9V Batterie  
 220V ~

Wellenbereiche:  
 WAVE BANDS  
 GAMMES D'ONDES  
 GAMME D'ONDA

LW, GQ, DL	145 ... 320 kHz
MW, PD, DM	520 ... 1620 kHz
K1, SW1, 001	1,6 ... 35 MHz
K2, SW2, 002	3,5 ... 17 MHz
K3, SW3, 003	7,7 ... 12,5 MHz
K4, SW4, 004	12,5 ... 18,2 MHz
K5, SW5, 005	18,2 ... 23,5 MHz
K6, SW6, 006	23,5 ... 28 MHz
UKW, FM	87,5 ... 108 MHz

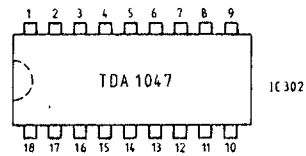
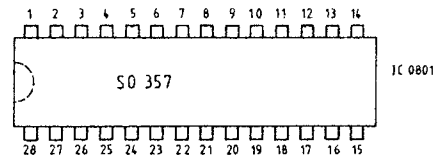
1ZF - AM	—	2 MHz
2ZF - AM	—	460 kHz
ZF - FM	—	10,7 MHz



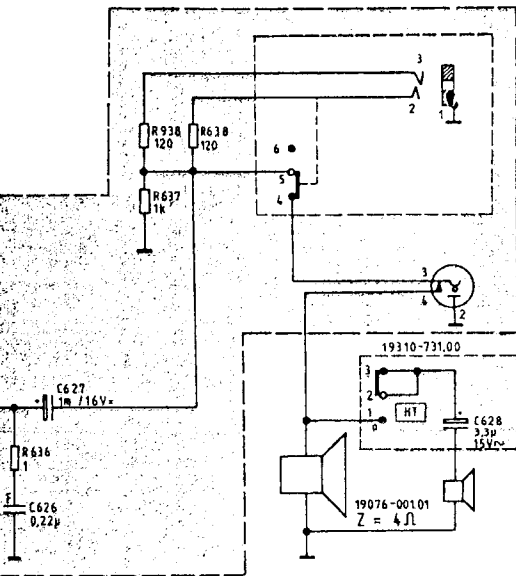
La 1.	7V 30mA	zu 38705-050.00-070.00
La 2.	7V 80mA	
La 3.	7V 30mA	

907, 600, 610, 611, 612, 613, 614, 615, 616, 617, 618, 619, 620, 621, 622, 623, 624, 626, 627, 628, 629, 630, 632, 634, 636
---

SSB-Platte SSB - BOARD CIRCUIT IMPRIME - SSB PIASTRA - SSB	19426 - 03900	19311 - 219.00
NF-Platte AF - BOARD CIRCUIT IMPRIME - BF PIASTRA - BF	19310 - 806.00	19310 - 810.00
Regler - Platte CONTROL BOARD CIRCUIT IMPRIME DE REGLAGE PIASTRA DI REGOLAZIONE	19311 - 207.00	19310 - 731.00
Zähler COUNTER COMPTEUR CONTATORE		19720 - 049.00
Anzeige INDICATION INDICAZIONE		19720 - 050.00
Zähler-Platte COUNTER - BOARD CIRCUIT IMPRIME COMPTEUR PIASTRA - CONTATORE		19310 - 796.00



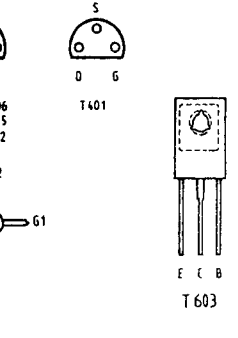
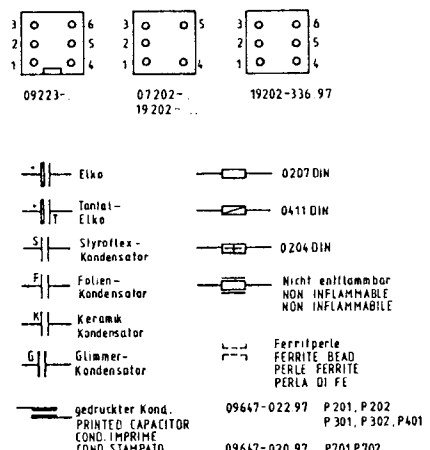
Von unten gesehen  
BOTTOM VIEW  
VUE DE DESSOUS  
VISTO DA SOTTO

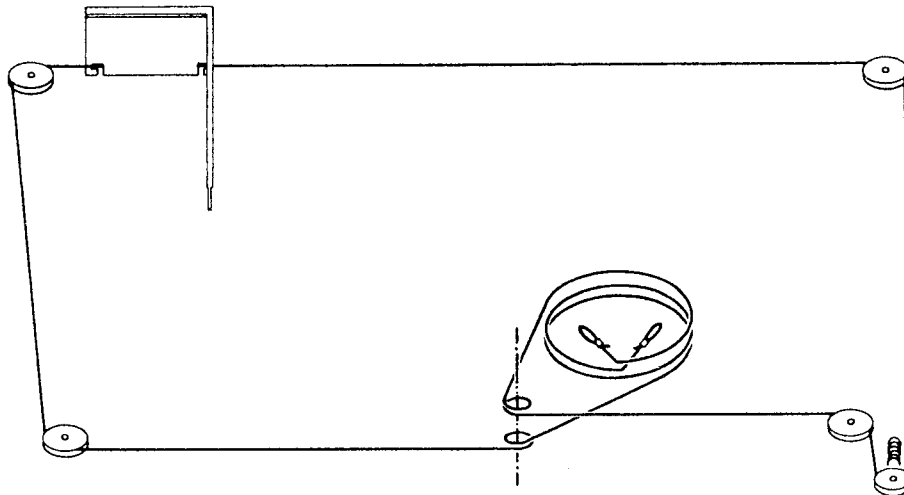
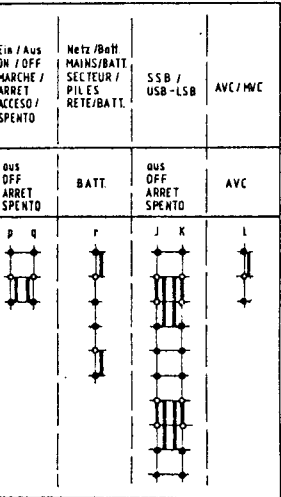
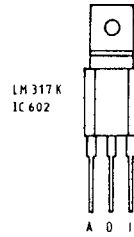
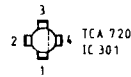
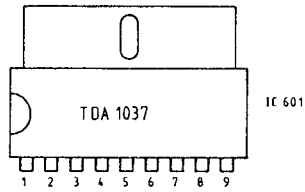
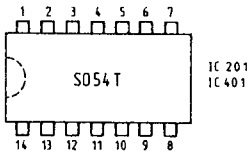


Schalter für: SWITCH FOR: COMMUTATEUR POUR COMMUTATORE DI	AFC	MUTING	RADIO PHONO	Zähler COUNTER COMPTEUR CONTATORE	Kurzzeitbel. TEMPORARY ILLUMINATION TEMPORAIRE ILLUMINAZ. TEMPORANEA Batteriekontroll. BATTERY CONTR. CONTR. BATTERIA	Ein / Aus ON / OFF MARCHE / ARRET ACCESO / SPENTO
gezeichnete Schaltung: SHOWN IN POSITION: MONTRE EN POSITION: RAPPRESENTATO IN POS.	aus OFF ARRET SPENTO	aus OFF ARRET SPENTO	RADIO	aus OFF ARRET SPENTO	Abstimmanz. TUNING INDIC. INDICAZIONE DI SINTONIA	aus OFF ARRET SPENTO
	a b	c d	g h	i k	l m	n o
1	[Circuit]	[Circuit]	[Circuit]	[Circuit]	[Circuit]	[Circuit]
2	[Circuit]	[Circuit]	[Circuit]	[Circuit]	[Circuit]	[Circuit]
3	[Circuit]	[Circuit]	[Circuit]	[Circuit]	[Circuit]	[Circuit]
4	[Circuit]	[Circuit]	[Circuit]	[Circuit]	[Circuit]	[Circuit]
5	[Circuit]	[Circuit]	[Circuit]	[Circuit]	[Circuit]	[Circuit]
6	[Circuit]	[Circuit]	[Circuit]	[Circuit]	[Circuit]	[Circuit]
7	[Circuit]	[Circuit]	[Circuit]	[Circuit]	[Circuit]	[Circuit]
8	[Circuit]	[Circuit]	[Circuit]	[Circuit]	[Circuit]	[Circuit]
9	[Circuit]	[Circuit]	[Circuit]	[Circuit]	[Circuit]	[Circuit]
10	[Circuit]	[Circuit]	[Circuit]	[Circuit]	[Circuit]	[Circuit]

Schalter für: SWITCH FOR: COMMUTATEUR POUR: COMMUTATORE DI:	L/M/K/U LW/MW/SW/FH GO/PO/DC/FH OL/OM/OC1/FH	U FM FM	K2-6 SW2-6 OC 2-6	K2-6 SW2-6 OC 2-6	DX/Local AN Tet
gezeichnete Schaltung: SHOWN IN POSITION: MONTRE EN POSITION: RAPPRESENTATO IN POS.	L LW GO OL	L/M/K LW/MW/SW GO/PO/DC OL/OM/OC	L/M/K1/U LW/MW/SW1/FH GO/PO/DC1/FH OL/OM/OC1/FH	K2 SW2 OC 2	DX Tet
	A B	C	D	E F	G
1	[Circuit]	[Circuit]	[Circuit]	[Circuit]	[Circuit]
2	[Circuit]	[Circuit]	[Circuit]	[Circuit]	[Circuit]
3	[Circuit]	[Circuit]	[Circuit]	[Circuit]	[Circuit]
4	[Circuit]	[Circuit]	[Circuit]	[Circuit]	[Circuit]
5	[Circuit]	[Circuit]	[Circuit]	[Circuit]	[Circuit]
6	[Circuit]	[Circuit]	[Circuit]	[Circuit]	[Circuit]
7	[Circuit]	[Circuit]	[Circuit]	[Circuit]	[Circuit]
8	[Circuit]	[Circuit]	[Circuit]	[Circuit]	[Circuit]
9	[Circuit]	[Circuit]	[Circuit]	[Circuit]	[Circuit]
10	[Circuit]	[Circuit]	[Circuit]	[Circuit]	[Circuit]
11	[Circuit]	[Circuit]	[Circuit]	[Circuit]	[Circuit]
12	[Circuit]	[Circuit]	[Circuit]	[Circuit]	[Circuit]
13	[Circuit]	[Circuit]	[Circuit]	[Circuit]	[Circuit]
14	[Circuit]	[Circuit]	[Circuit]	[Circuit]	[Circuit]
15	[Circuit]	[Circuit]	[Circuit]	[Circuit]	[Circuit]
16	[Circuit]	[Circuit]	[Circuit]	[Circuit]	[Circuit]
17	[Circuit]	[Circuit]	[Circuit]	[Circuit]	[Circuit]
18	[Circuit]	[Circuit]	[Circuit]	[Circuit]	[Circuit]
19	[Circuit]	[Circuit]	[Circuit]	[Circuit]	[Circuit]
20	[Circuit]	[Circuit]	[Circuit]	[Circuit]	[Circuit]
21	[Circuit]	[Circuit]	[Circuit]	[Circuit]	[Circuit]
22	[Circuit]	[Circuit]	[Circuit]	[Circuit]	[Circuit]
23	[Circuit]	[Circuit]	[Circuit]	[Circuit]	[Circuit]
24	[Circuit]	[Circuit]	[Circuit]	[Circuit]	[Circuit]
25	[Circuit]	[Circuit]	[Circuit]	[Circuit]	[Circuit]
26	[Circuit]	[Circuit]	[Circuit]	[Circuit]	[Circuit]
27	[Circuit]	[Circuit]	[Circuit]	[Circuit]	[Circuit]
28	[Circuit]	[Circuit]	[Circuit]	[Circuit]	[Circuit]
29	[Circuit]	[Circuit]	[Circuit]	[Circuit]	[Circuit]
30	[Circuit]	[Circuit]	[Circuit]	[Circuit]	[Circuit]
31	[Circuit]	[Circuit]	[Circuit]	[Circuit]	[Circuit]
32	[Circuit]	[Circuit]	[Circuit]	[Circuit]	[Circuit]

- 45... 320 kHz
- 20... 1620 kHz
- 6... 35MHz
- 15... 7.7MHz
- 7... 12.5MHz
- 2.5... 18.2MHz
- 0.2... 23.5MHz
- 3.5... 28 MHz
- 7.5... 104 MHz
- 2MHz
- 60kHz
- 0.7MHz





### AM-FM-Seilzug

Drehko eingedreht  
Seillänge ca. 1283 mm

### AM-FM-DIAL CORD

varicap closed  
cord length approx. 1283 mm

### ENTRAINEMENT AM/FM

condensateur fermé  
longueur de cable 1283 mm

### MONTAGGIO DELLA FUNICELLA AM/FM

condensatore variabile chiuso  
lunghezza della funicella ca. 1283 mm

Anderungen vorbehalten!  
ALTERATIONS RESERVED!  
MODIFICAZIONI RISERVATE!  
CON RISERVA DI MODIFICAZIONI!



Satellit 1400 professional  
Satellit 1400 SL professional

(15040-906.01)

Teil 2